



ALVOLTA MIO DUAL LINKED TERMINAL STUD

ALVS102B & ALVS102R

Key Features:



M10 Connection Points



150A Current Rating



Connects Multiple
Voltage Lines



Durable Nylon Base



Stainless Steel Contact

Suitable for:



3 YEAR
WARRANTY

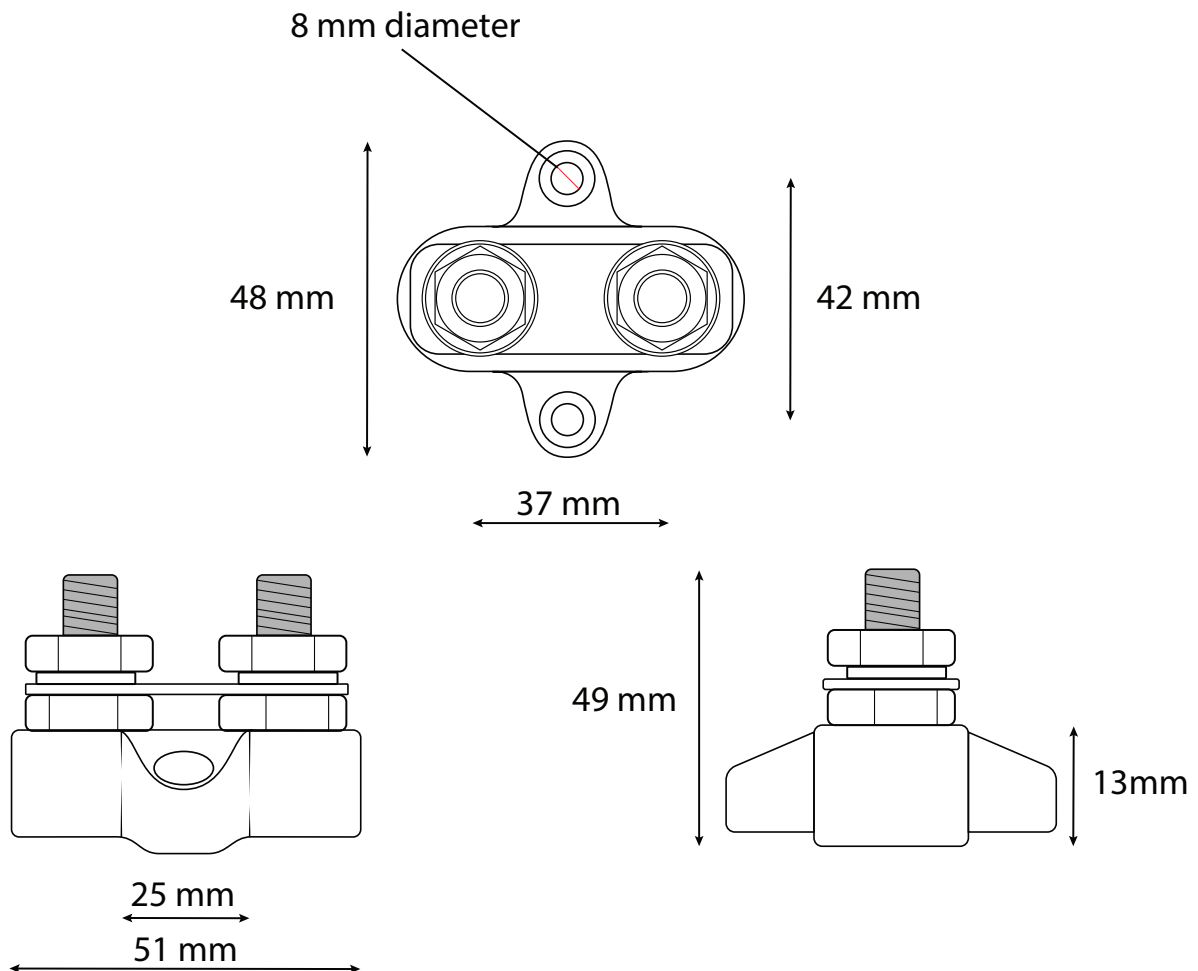
ALVOLTA MIO DUAL LINKED TERMINAL STUD

ALVS102B & ALVS102R

Specifications:

Model	ALVS102B	ALVS102R
Colour	Black	Red
Maximum Current Rating	150A	
Maximum Voltage Rating	70V DC	
Connection Post Size	10mm (M10)	
Connection Post Material	Stainless Steel	
Contact Strip Material	Stainless Steel	
Hex Nut Material	Tin-Plated Copper Alloy	
Base Material	Glass Fiber Reinforced Nylon	
Dimensions	51 x 48 x 43mm	

Model Diagram:



*All data and specifications provided in this datasheet are tested under standard test conditions, and may deviate marginally from actual values. Alvolta and its associates reserve the right to make modifications to the provided information without notice. Alvolta maintains the goal to supply customers with the most recent information regarding its products.