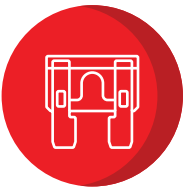




ALVOLTA IN-LINE MINI BLADE FUSE HOLDER AMB-H

Key Features:



Suits Mini Blade Fuses



Easy Installation



30A Input



Protective Cover



Durable Design

Suitable for:



3 YEAR
WARRANTY

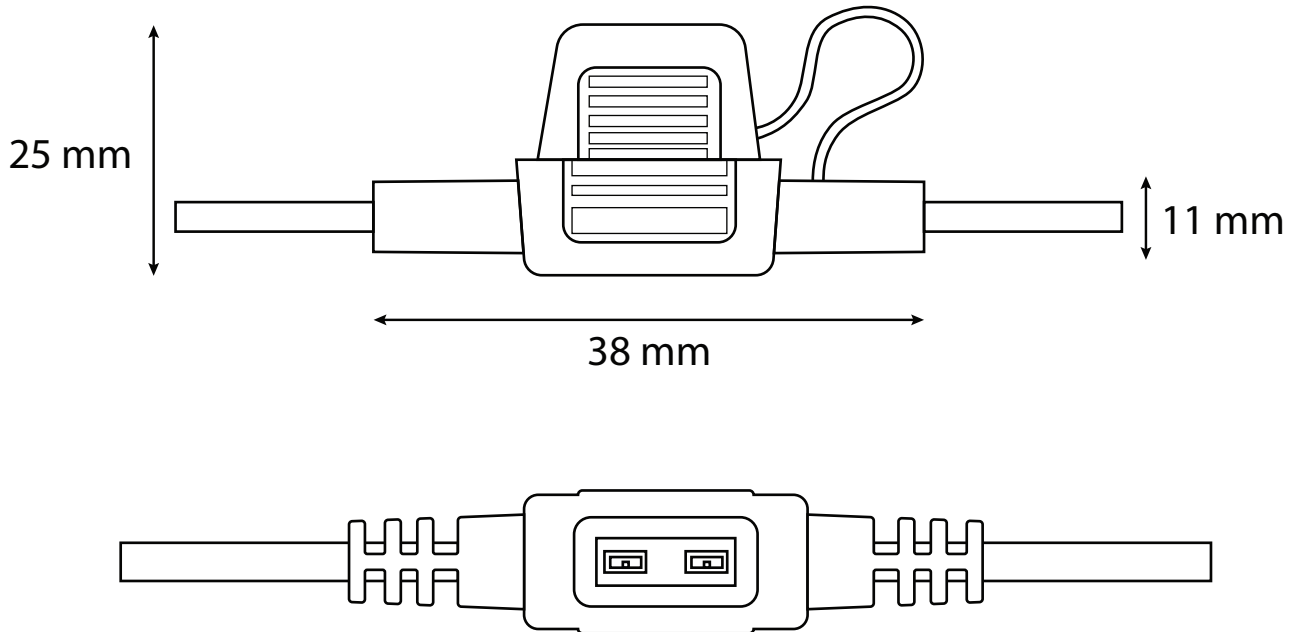
ALVOLTA IN-LINE MINI BLADE FUSE HOLDER

AMB-H

Specifications:

Maximum Current Draw	30A
Fuse Type	Mini Blade Fuses
Wire	UL 1015
Wire Size	AWG #12
Wire Length	300mm
Insulating Body	PVC 94-V0 Plastic
Protection	Splashproof
Colour	Black and Red
Dimensions	38 x 25mm

Model Diagram:



*All data and specifications provided in this datasheet are tested under standard test conditions, and may deviate marginally from actual values. Alvolta and its associates reserve the right to make modifications to the provided information without notice. Alvolta maintains the goal to supply customers with the most recent information regarding its products.