





# Tripod Bracket Installation Manual

AMRTD



## Components List

Model Name	Tripod Bracket	Roof Rail	End clamp assembly	Inter clamp assembly-eathing
Picture	 TP-AD01-RL	 TP-R01	 TP-EC-AA	 TP-IC-C

Model Name	Rail joiner assembly	Earthing lug assembly	Roofing screw, 6.3*80mm	Rail Cap
Picture				

## For Safe Installation Work

This manual contains critical information regarding electrical and mechanical installation and safety information which you should know before starting installation.



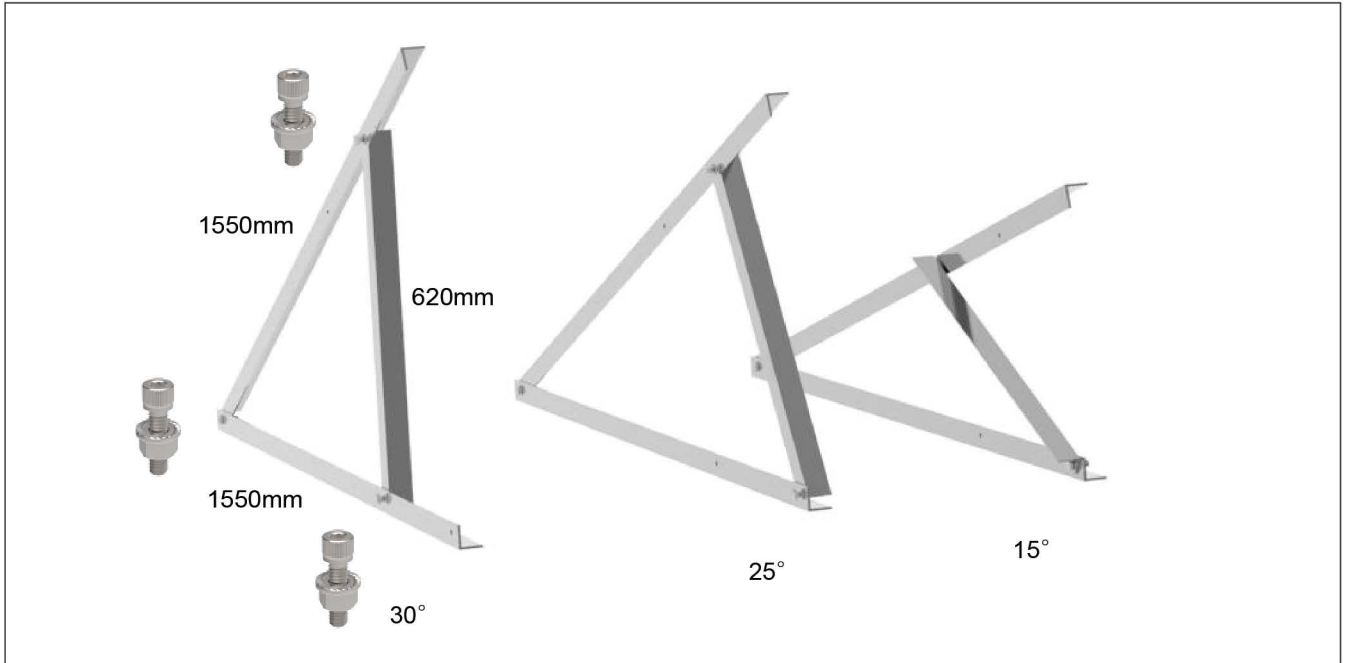
- Stop working during stormy weather. Solar modules can be caught in the wind, causing you to fall.
- Never step or sit on the glass surface of a solar module. The glass may break, resulting in shock or bodily injury. The module may also stop generating power.
- Always use the supplied parts to attach the solar modules and mounts. Use of weaker parts, such as screws that are too short, is dangerous and may cause the solar modules or mounts to fall.
- Always use the specified tools. The solar modules or mounts may fall if the installation is not strong enough, for example when parts are not tightened sufficiently.
- Do not modify or cut parts. Doing so is dangerous. Safety cannot be guaranteed.
- Product should be installed and maintained by qualified personnel. Keep unauthorized personnel away from solar module.

## Points To Check

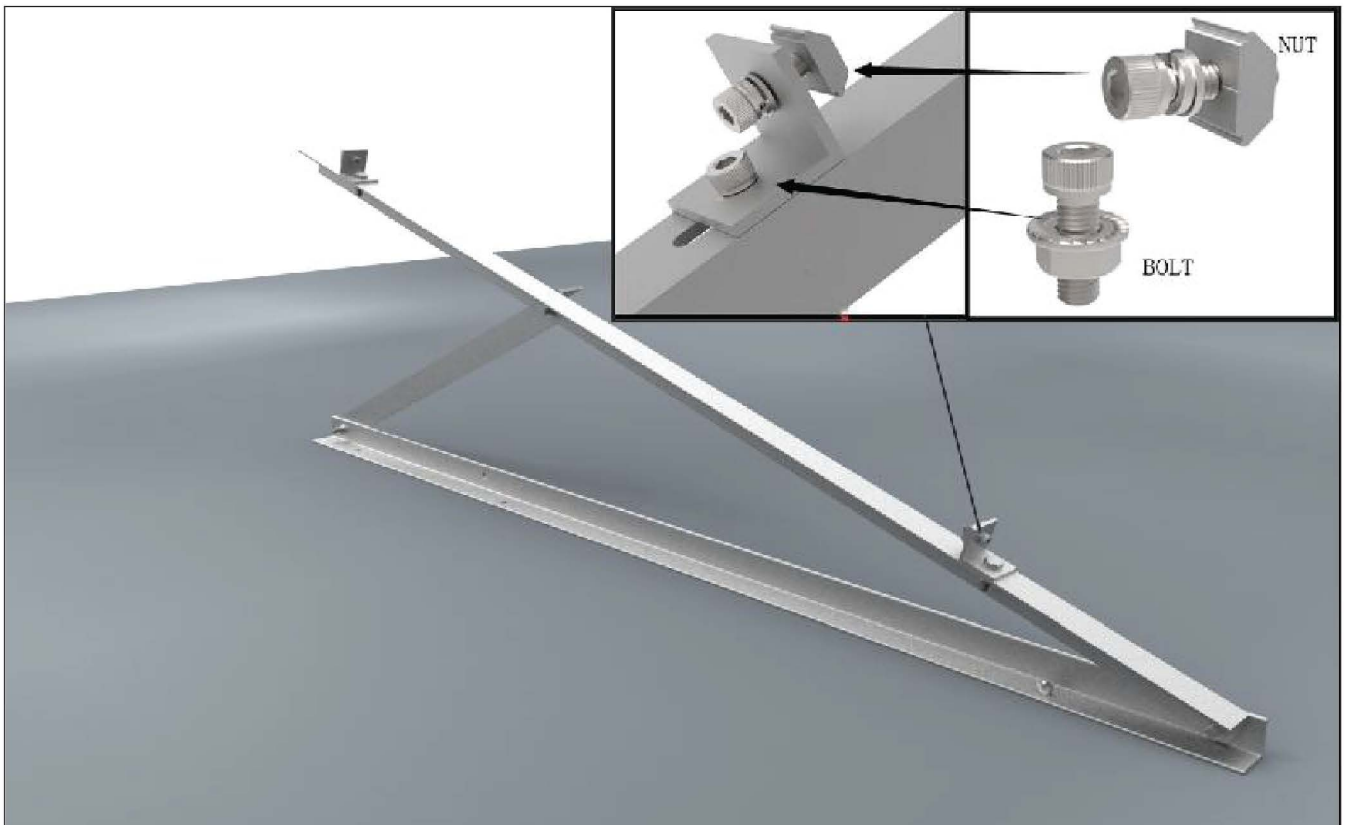
- Determine the wind loads for the installation site. Check with your local building and safety department for the specific requirements. Make certain that the roof structure can support the live and dead loads resulting from the installation of the PV array.
- Install solar modules facing South, if possible. Installations facing East and West are also possible, although the amount of power generated will be lower.

## Installation Steps

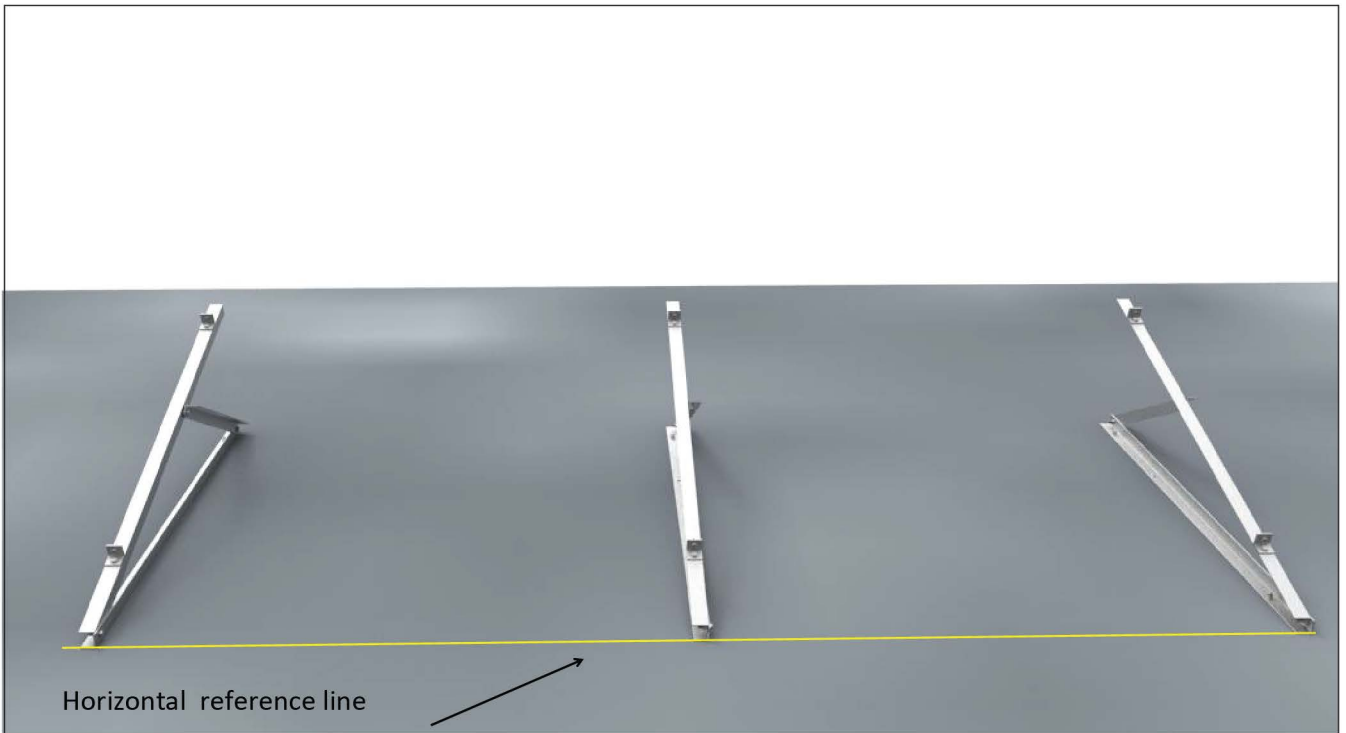
### 1. Adjust the tilt angle to install the tripod mounts.



### 2. Install two angles to tri-bracket with bolt and nut.



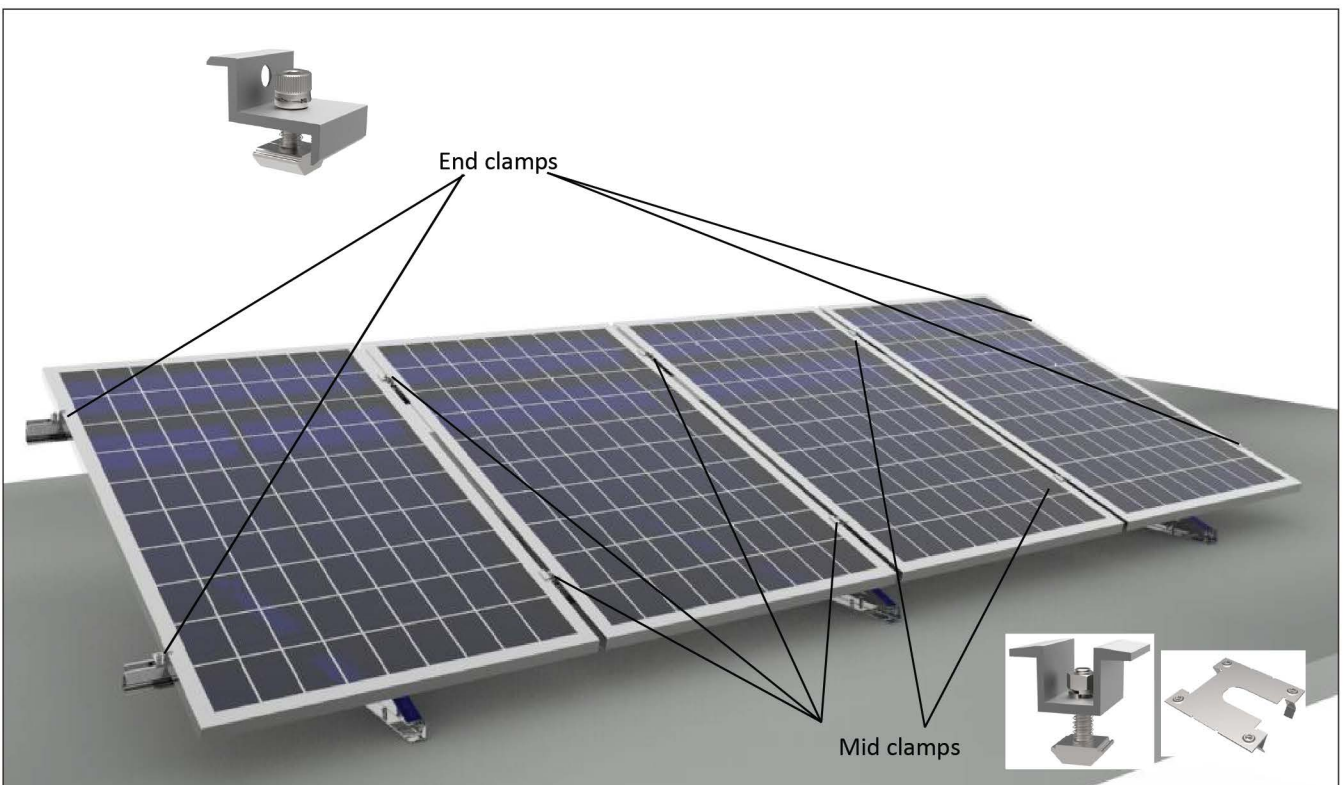
3.



**4. Install the cap on the rail, grounding the lug on the rail.**



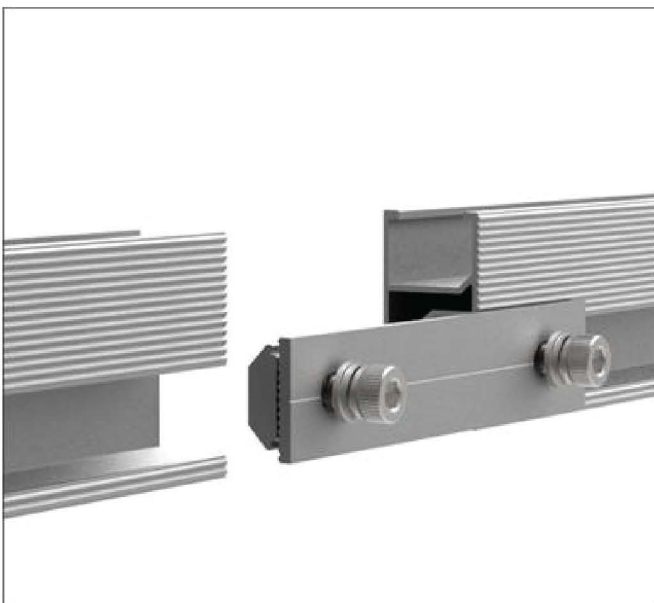
**5. Place the first module on the bottom row. Slide the end clamp tightly against the module and fasten it. Install the end clamps and mid clamps.**



## Please Note

### Installation of the splice to connect multiple rails together.

Slide splice on the rear side of the pre-assembled rails. Fasten the first bolt firmly. Then slide the next rail into the splice. When it comes together, fasten the other bolt. The connection is finished. An expansion gap at the rail joints is suggested. Leave a gap about a finger width.



## Installation of Nut

