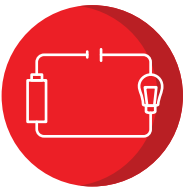




ALVOLTA 3 POSITION BATTERY SWITCH

AS323503AR

Key Features:



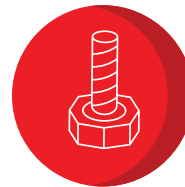
Multiple Circuits



350A Continuous Current



IP66 Rated



M10 Terminal Studs



Durable Design

Suitable for:



1 YEAR
WARRANTY

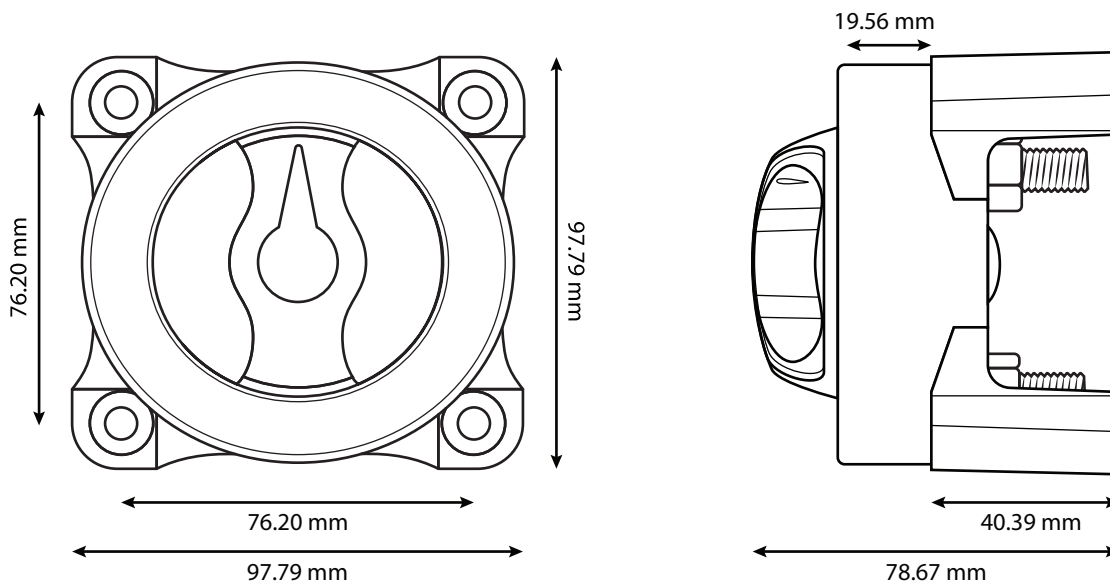
ALVOLTA 3 POSITION BATTERY SWITCH

AS323503AR

Electrical Data:

Model	AS4323503AR
Colour	Black
Alternator Field Disconnect	Yes
Switch Type	3-Position Selector
Battery Inputs	2
Switch Positions	3
Battery Combine	Not Available
Maximum Voltage	32V DC
Continuous Current Rating	350A
Intermittent Current Rating (5m)	600A
Cranking Current Rating (30s)	1200A
Terminal Stud Size	M10 (3/8"-16)
Cable Size	4/0 AWG (120mm ²)
Cable Clearance	28.4mm (1.12')
Mounting Holes	#10 (M5) Screw
Terminal Stud Mounting Torque	120 in-lb (13.56N-m)
Terminal Stud Material	Tinned Copper
Housing Material	PVC
Ingress Protection	IP66
Dimensions	97.79 x 97.79 x 78.67mm
Warranty	1 Year

Module Diagram:



*All data and specifications provided in this datasheet are tested under standard test conditions, and may deviate marginally from actual values. Alvolta and its associates reserve the right to make modifications to the provided information without notice. Alvolta maintains the goal to supply customers with the most recent information regarding its products.