



ALVOLTA DISTRIBUTION BOX

ALV-514D

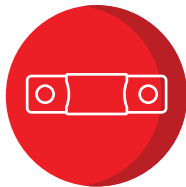
Key Features:



150A Power
Distribution Box



4-Way
AMI/Midi Busbar



1-Way
AMG/Mega Busbar



Protective Cover



Durable Design

Suitable for:



3 YEAR
WARRANTY

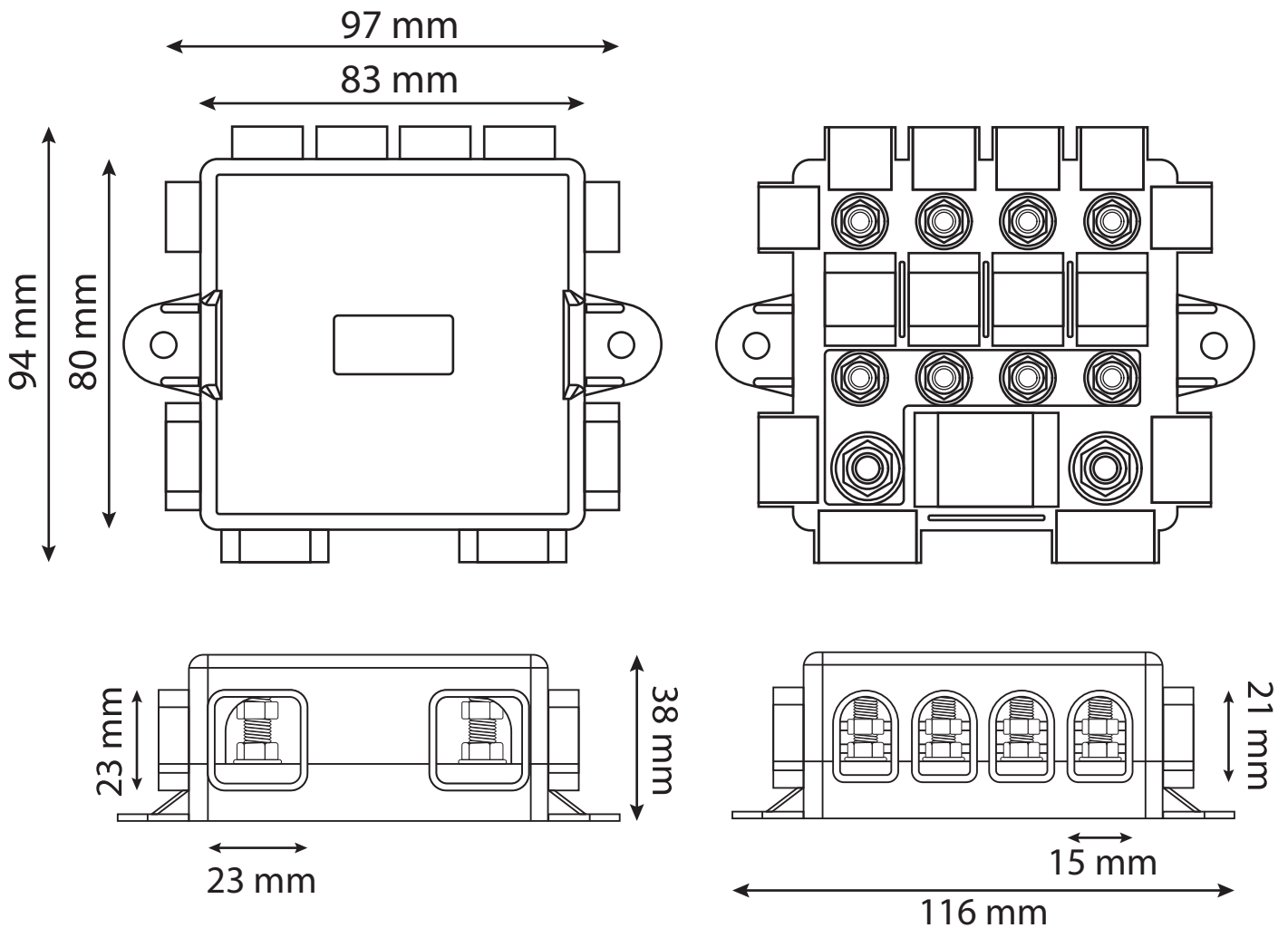
ALVOLTA DISTRIBUTION BOX

ALV-514D

Specifications:

Maximum Voltage	12V DC
Maximum Current	150A
Fuse Type	4x AMI/Midi Fuses & 1x AMG/Mega Fuse
Stud Type	8x M5 Studs & 2x M8 Studs
Stud Material	Nickel-Plated Copper
Cover Material	PBT Plastic
Base Material	PBT Plastic
Colour	Black
Dimensions	116 x 94 x 36mm

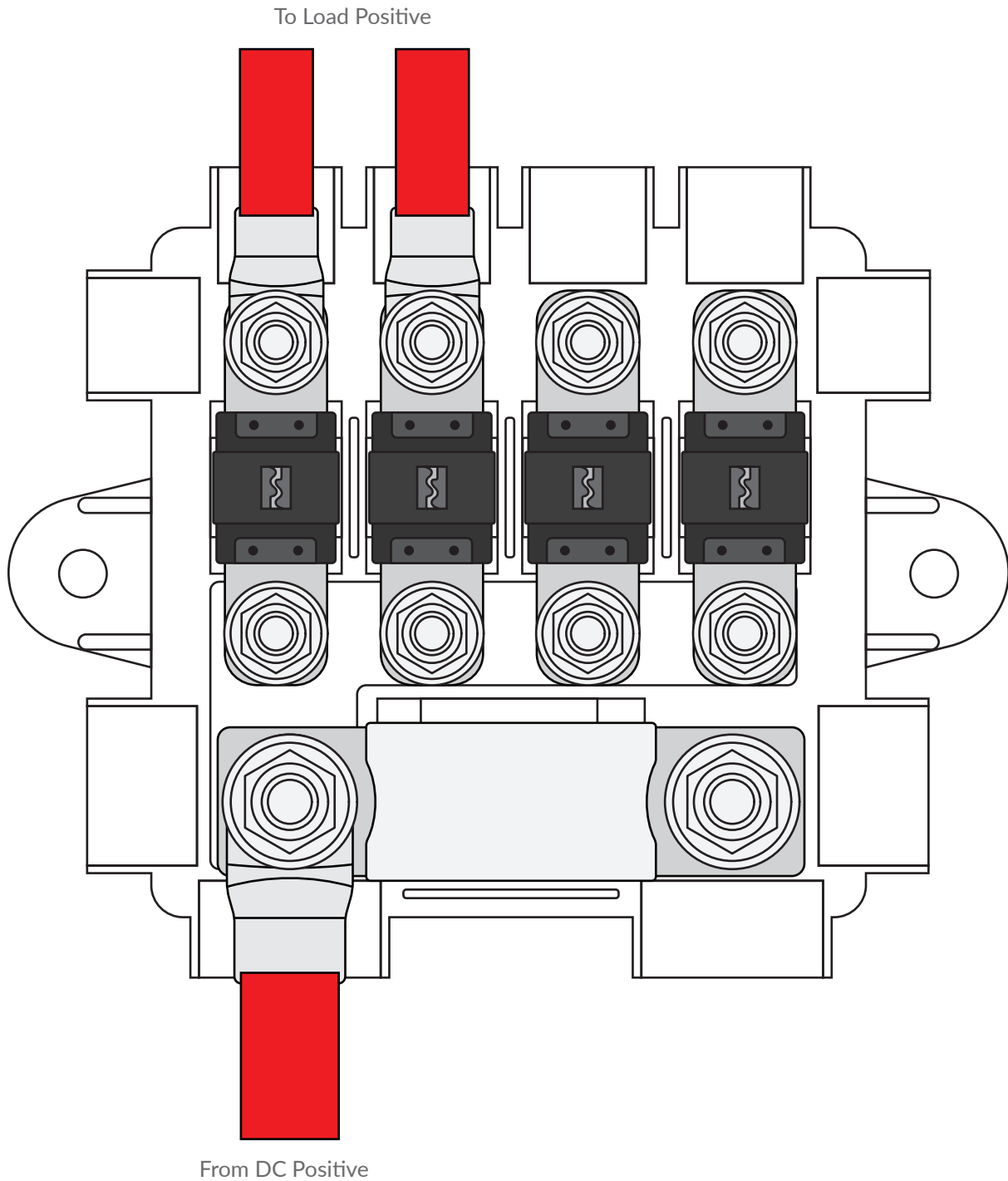
Model Diagram:



ALVOLTA DISTRIBUTION BOX

ALV-514D

Wiring Diagram:



*All data and specifications provided in this datasheet are tested under standard test conditions, and may deviate marginally from actual values. Alvolta and its associates reserve the right to make modifications to the provided information without notice. Alvolta maintains the goal to supply customers with the most recent information regarding its products.