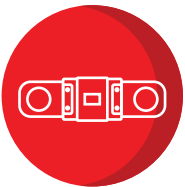


## ALVOLTA MODULAR AMI/MIDI FUSE HOLDER

ALV-FHM

### Key Features:



Designed for AMI/Midi  
Fuses



Modular System



M5 Stud



Protective Cover



Durable Design

### Suitable for:



**3 YEAR**  
WARRANTY

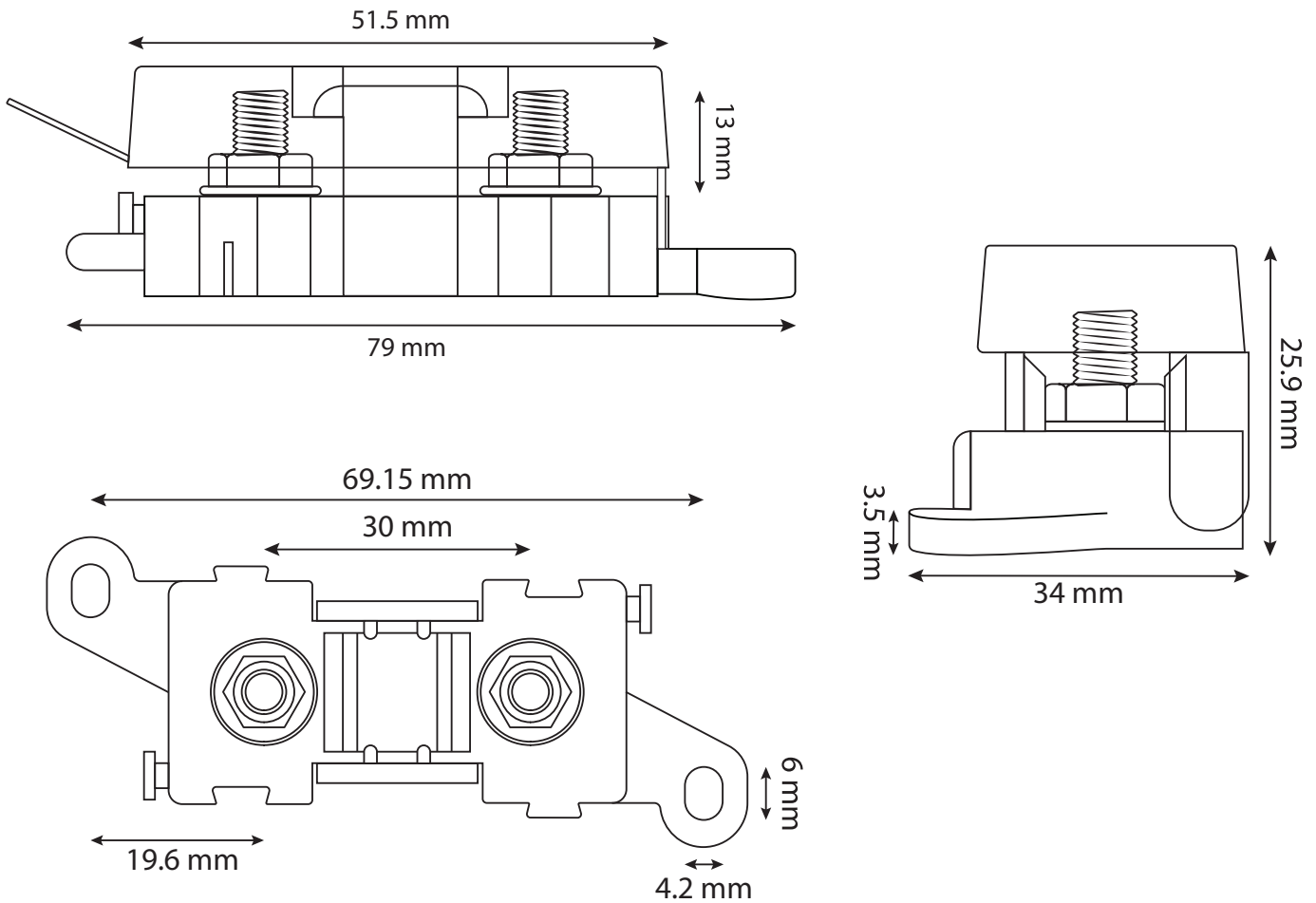
# ALVOLTA MODULAR AMI/MIDI FUSE HOLDER

## ALV-FHM

### Specifications:

Maximum Voltage	24V DC
Maximum Holder Current	400A
Maximum Current With Linking Plates Connected	400A
Fuse Type	AMI/Midi Fuses
Stud Type	M5 (5mm)
Stud Material	Stainless Steel
Cover Material	Red Silicon
Base Material	PPS Plastic
Colour	Black with Red Cover
Dimensions	79 x 34 x 26mm

### Model Diagram:



\*All data and specifications provided in this datasheet are tested under standard test conditions, and may deviate marginally from actual values. Alvolta and its associates reserve the right to make modifications to the provided information without notice. Alvolta maintains the goal to supply customers with the most recent information regarding its products.

# ALVOLTA MODULAR AMI/MIDI FUSE HOLDER

## ALV-FHM

### Modular Connection Diagrams:

