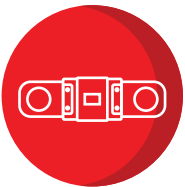


ALVOLTA MODULAR AMG/MEGA FUSE HOLDER

ALV-AMG-MH

Key Features:



Designed for AMG/Mega Fuses



Modular System



M8 Studs



Protective Cover



Durable Design

Suitable for:



3 YEAR
WARRANTY

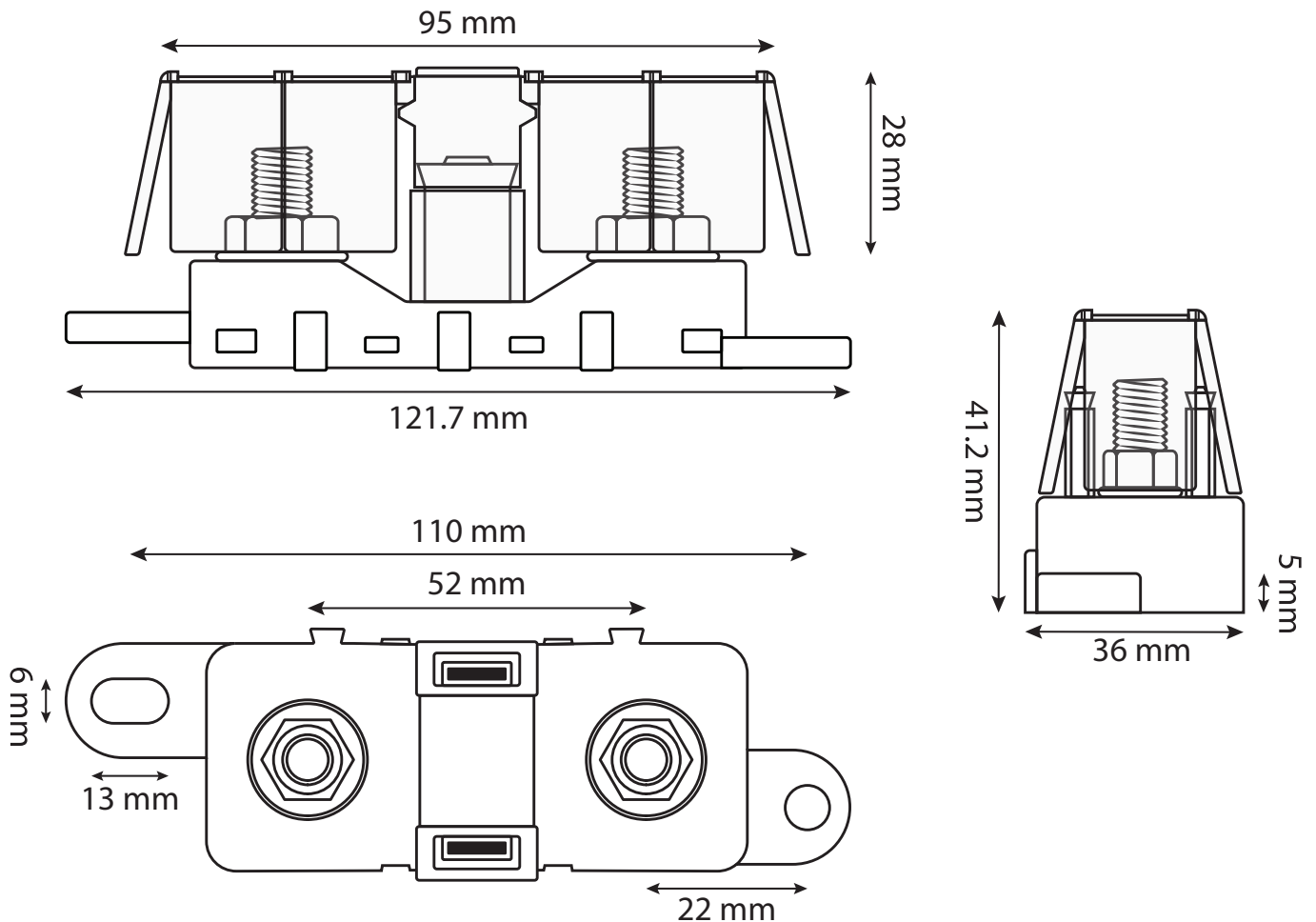
ALVOLTA MODULAR AMG/MEGA FUSE HOLDER

ALV-AMG-MH

Specifications:

| | |
|---|-----------------------|
| Maximum Voltage | 24V DC |
| Maximum Holder Current | 400A |
| Maximum Current With Linking Plates Connected | 600A |
| Fuse Type | AMG/Mega Fuses |
| Stud Type | M8 (8mm) |
| Stud Material | Stainless Steel |
| Cover Material | Red Silicon |
| Base Material | PPS Plastic |
| Colour | Black with Red Cover |
| Dimensions | 121.7 x 34.4 x 41.2mm |

Model Diagram:



*All data and specifications provided in this datasheet are tested under standard test conditions, and may deviate marginally from actual values. Alvolta and its associates reserve the right to make modifications to the provided information without notice. Alvolta maintains the goal to supply customers with the most recent information regarding its products.

ALVOLTA MODULAR AMG/MEGA FUSE HOLDER

ALV-AMG-MH

Modular Connection Diagrams:

